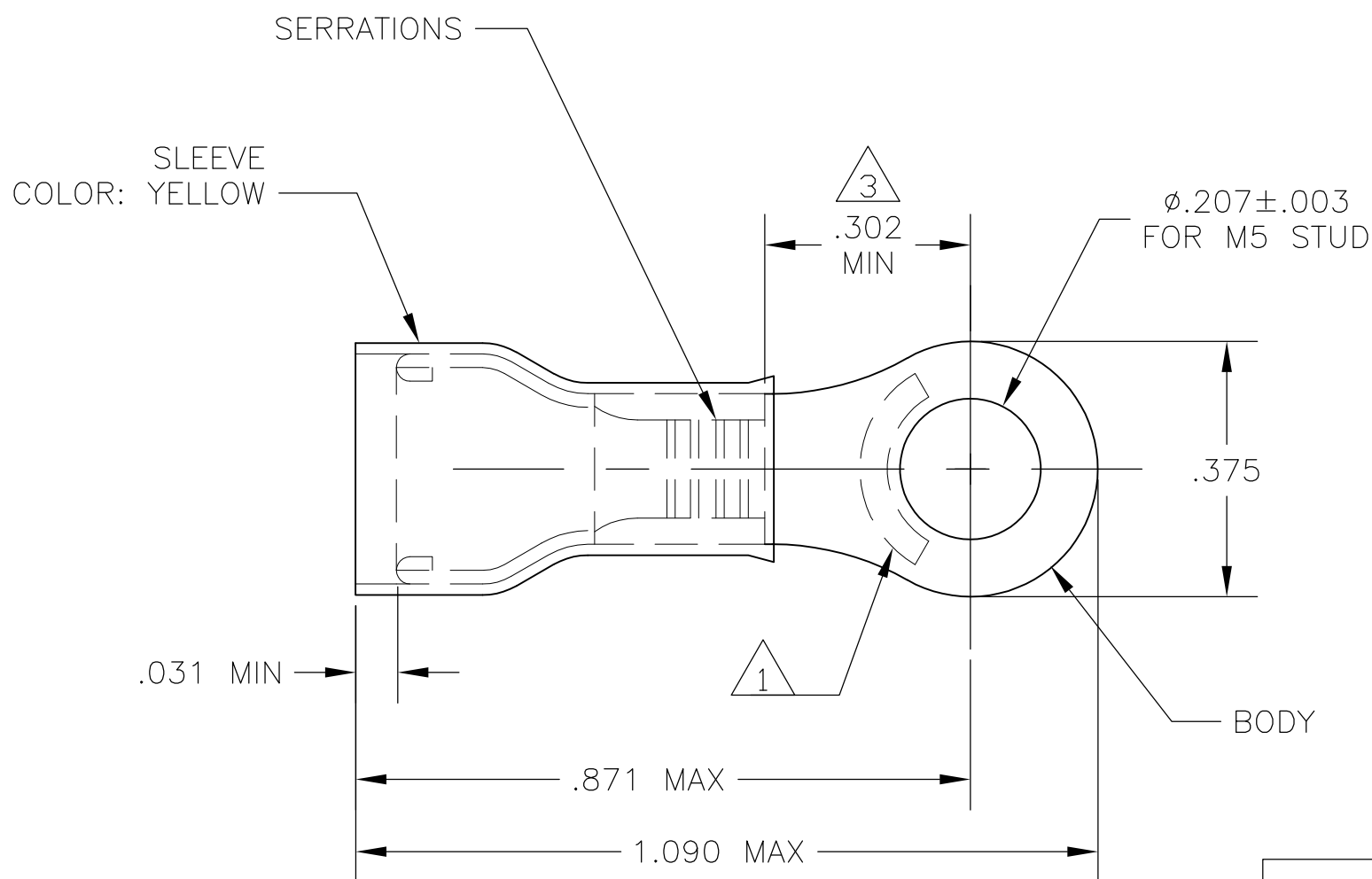


THIS DRAWING IS UNPUBLISHED. RELEASED FOR PUBLICATION

© COPYRIGHT BY TYCO ELECTRONICS CORPORATION. ALL RIGHTS RESERVED.

LOC	DIST	REVISIONS					
G	14	P	LTR	DESCRIPTION	DATE	DWN	APVD
		B		REV PER ECR 07-023034	12NOV07	JR	TM



- 1 STAMP "AMP 12-10*", LOCATION APPROX AS SHOWN.
- 2 TONGUE THICKNESS IS .039±.002
- 3 APPLIES TO EDGE OF METAL WIRE BARREL TO CENTER OF STUD HOLE.
- 4 FOR AMP BRAZIL PRODUCTION ONLY
- 5 BODY - COPPER PER ASTM B-152 SLEEVE - COPPER PER ASTM B-152 INSULATION - NYLON
- 6 BODY - TIN PL PER ASTM B-545 SLEEVE - TIN PL PER ASTM B-545 INSULATION - COLOR - YELLOW
- 7 105°C MAX OPERATING TEMPERATURE.
- 8 300 VOLT MAX
- 9 2.62-6.64mm² [5,180 - 13,100 CMA] SOLID OR STRANDED

.150-.250	25	LOOSE PIECE	8-130171-1
.150-.250	2500	REELED ON TAPE	2-130171-1
.170-.300	-	LOOSE PIECE	4 130171-1
.150-.250	500	LOOSE PIECE	130171
WIRE INSULATION OD RANGE	QTY	PACKAGE TYPE	PART NO

THIS DRAWING IS A CONTROLLED DOCUMENT.		DWN jr_ruth 20FEB06	Tyco Electronics Corporation Harrisburg, PA 17105-3608	
DIMENSIONS: INCHES		CHK T MICHIELUTTI 20FEB06	NAME TERMINAL RING TONGUE, PIDG, WIRE SIZE 12:10	
TOLERANCES UNLESS OTHERWISE SPECIFIED:		APVD T MICHIELUTTI 20FEB06	PRODUCT SPEC	
0 PLC ± -		APPLICATION SPEC		
1 PLC ± -		SIZE		
2 PLC ± -		CAGE CODE		
3 PLC ± .008		DRAWING NO		
4 PLC ± -		RESTRICTED TO		
ANGLES ± 5°		A3 00779 C-130171		
MATERIAL	FINISH	WEIGHT		
5	6	CUSTOMER DRAWING		
		SCALE	SHEET	REV
		4:1	1 OF 1	B